

650V SuperGaN® GaN FET in PQFN (source tab)

Description

The TP65H070G4LSGB 650V, 72mΩ Gallium Nitride (GaN) FET is a normally-off device. It combines state-of-the-art high voltage GaN HEMT and low voltage silicon MOSFET technologies—offering superior reliability and performance.

The Gen IV SuperGaN® platform uses advanced epi and patented design technologies to simplify manufacturability while improving efficiency over silicon via lower gate charge, output capacitance, crossover loss, and reverse recovery charge

Related Literature

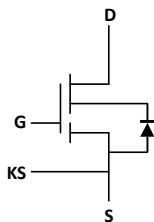
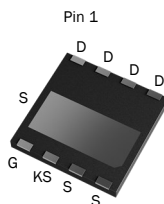
- [AN0009](#): Recommended External Circuitry for GaN FETs
- [AN0003](#): Printed Circuit Board Layout and Probing
- [AN0007](#): Recommendations for Vapor Phase Reflow
- [AN0010](#): Paralleling GaN FETs
- [AN0012](#): PQFN Tape and Reel Information
- [AN0014](#): Low cost driver solution

Ordering Information

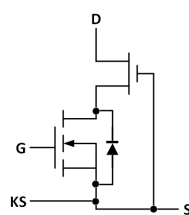
Part Number	Package	Package Configuration
TP65H070G4LSGB-TR	8x8 PQFN	Source

* "-TR" suffix refers to tape and reel. Refer to AN0012 for details.

TP65H070G4LSGB
PQFN
(Bottom view)



Cascode Schematic Symbol



Cascode Device Structure

Features

- Gen IV technology
- JEDEC-qualified GaN technology
- Dynamic $R_{DS(on)eff}$ production tested
- Robust design, defined by
 - Wide gate safety margin
 - Transient over-voltage capability
- Very low Q_{RR}
- Reduced crossover loss
- RoHS compliant and Halogen-free packaging

Benefits

- Achieves increased efficiency in both hard- and soft-switched circuits
 - Increased power density
 - Reduced system size and weight
 - Overall lower system cost
- Easy to drive with commonly-used gate drivers
- GSD pin layout improves high speed design

Applications

- Datacom
- Broad industrial
- PV inverter
- Servo motor
- Consumer
- Computing



Key Specifications

V_{DSS} (V)	650
$V_{DSS(TR)}$ (V)	800
$R_{DS(on)eff}$ (mΩ) max*	85
Q_{oss} (nC) typ	78
Q_G (nC) typ	8.4

* Dynamic on-resistance; see Figures 18 and 19

TP65H070G4LSGB

Absolute Maximum Ratings (T_c=25 °C unless otherwise stated.)

Symbol	Parameter	Limit Value	Unit	
V _{DSS}	Drain to source voltage (T _J = -55 °C to 150 °C)	650	V	
V _{DSS(TR)}	Transient drain to source voltage ^(a)	800		
V _{GSS}	Gate to source voltage	±20		
P _D	Maximum power dissipation @T _c =25 °C	96	W	
I _D	Continuous drain current @T _c =25 °C ^(b)	29	A	
	Continuous drain current @T _c =100 °C ^(b)	18.4	A	
I _{DM}	Pulsed drain current (pulse width: 10µs)	120	A	
T _C	Operating temperature	Case	-55 to +150	°C
T _J		Junction	-55 to +150	°C
T _S	Storage temperature	-55 to +150	°C	
T _{SOLD}	Reflow soldering temperature ^(c)	260	°C	

Notes:

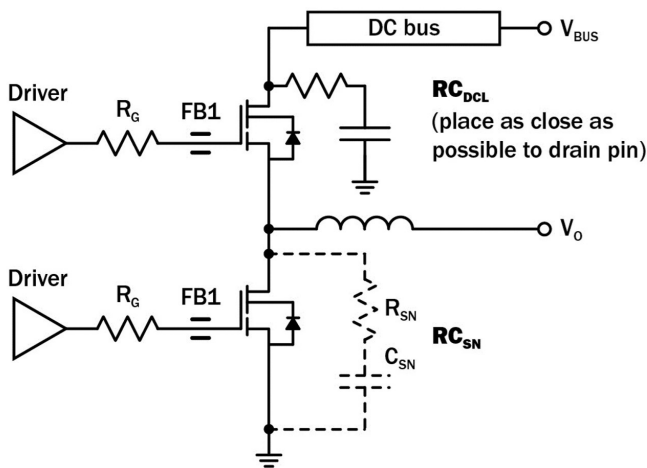
- In off-state, spike duration <30 µs, non-repetitive
- For increased stability at high current operation, see Circuit Implementation on page 3
- Reflow MSL3

Thermal Resistance

Symbol	Parameter	Maximum	Unit
R _{θJC}	Junction-to-case	1	°C/W
R _{θJA}	Junction-to-ambient	62	°C/W

TP65H070G4LSGB

Circuit Implementation



Simplified Half-bridge Schematic (See also on Figure 13)

For additional gate driver options/configurations, please see Application Note [AN0009](#)

Layout Recommendations

Gate Loop:

- Gate Driver: SiLab Si823x/Si827x
- Keep gate loop compact
- Minimize coupling with power loop

Power loop: (For reference see page 13)

- Minimize power loop path inductance
- Minimize switching node coupling with high and low power plane
- Add DC bus snubber to reduce to voltage ringing
- Add Switching node snubber for high current operation

Recommended gate drive: (0V, 12V) with $R_G = 50\Omega$

Gate Ferrite Bead (FB1)	Required DC Link RC Snubber (RC_{DCL}) ^(d)	Recommended Switching Node RC Snubber (RC_{SN}) ^(e)
200 – 300 Ω at 100MHz	10nF + 5 Ω	Not necessary ^(e)

Notes:

d. RC_{DCL} should be placed as close as possible to the drain pin

e. RC_{SN} (68pF + 15 Ω) is needed only if R_G is smaller than recommendations

TP65H070G4LSGB

Electrical Parameter (T_J=25 °C unless otherwise stated)

Symbol	Parameter	Min	Typ	Max	Unit	Test Conditions
Forward Device Characteristics						
V _{(BL)DSS}	Drain-source voltage	650	—	—	V	V _{GS} =0V
V _{GS(th)}	Gate threshold voltage	3.2	4	4.6	V	V _{DS} =V _{GS} , I _D =0.7mA
R _{DS(on)eff}	Drain-source on-resistance ^(f)	—	72	85	mΩ	V _{GS} =10V, I _D =16A, T _J =25 °C
		—	148	—		V _{GS} =10V, I _D =16A, T _J =150 °C
I _{DSS}	Drain-to-source leakage current	—	3	30	μA	V _{DS} =650V, V _{GS} =0V, T _J =25 °C
		—	12	—		V _{DS} =650V, V _{GS} =0V, T _J =150 °C
I _{GSS}	Gate-to-source forward leakage current	—	—	100	nA	V _{GS} =20V
	Gate-to-source reverse leakage current	—	—	-100		V _{GS} =-20V
C _{ISS}	Input capacitance	—	600	—	pF	V _{GS} =0V, V _{DS} =400V, f=1MHz
C _{OSS}	Output capacitance	—	74	—		
C _{RSS}	Reverse transfer capacitance	—	2	—		
C _{O(er)}	Output capacitance, energy related ^(g)	—	109	—	pF	V _{GS} =0V, V _{DS} =0V to 400V
C _{O(tr)}	Output capacitance, time related ^(h)	—	200	—		
Q _G	Total gate charge	—	8.4	—	nC	V _{DS} =400V, V _{GS} =0V to 10V, I _D =16A
Q _{GS}	Gate-source charge	—	3.3	—		
Q _{GD}	Gate-drain charge	—	2.3	—		
Q _{OSS}	Output charge	—	78	—	nC	V _{GS} =0V, V _{DS} =0V to 400V
t _{D(on)}	Turn-on delay	—	27	—	ns	V _{DS} =400V, V _{GS} =0V to 12V, I _D =16A, R _G =50Ω
t _R	Rise time	—	9	—		
t _{D(off)}	Turn-off delay	—	71	—		
t _F	Fall time	—	6.5	—		

Notes:

- f. Dynamic on-resistance; see Figures 5 and 6 for test circuit and conditions
- g. Equivalent capacitance to give same stored energy as V_{DS} rises from 0V to 400V
- h. Equivalent capacitance to give same charging time as V_{DS} rises from 0V to 400V

TP65H070G4LSGB

Electrical Parameters (T_J=25 °C unless otherwise stated)

Symbol	Parameter	Min	Typ	Max	Unit	Test Conditions
Reverse Device Characteristics						
I _S	Reverse current	—	—	16	A	V _{GS} =0V, T _C =100 °C, ≤25% duty cycle
V _{SD}	Reverse voltage ⁽ⁱ⁾	—	2.2	2.6	V	V _{GS} =0V, I _S =16A
		—	1.6	1.9		V _{GS} =0V, I _S =8A
t _{RR}	Reverse recovery time	—	34	—	ns	I _S =16A, V _{DD} =400V, di/dt=1000A/ms
Q _{RR}	Reverse recovery charge ^(j)	—	0	—	nC	
(di/dt) _{RDMC}	Reverse diode di/dt ^(k)	—	—	1900	A/μs	

Notes:

- i. Includes dynamic R_{DS(on)} effect
- j. Excludes Q_{oss}
- k. Reverse conduction di/dt will not exceed this max value with recommended R_θ.

TP65H070G4LSGB

Typical Characteristics ($T_C=25^\circ\text{C}$ unless otherwise stated)

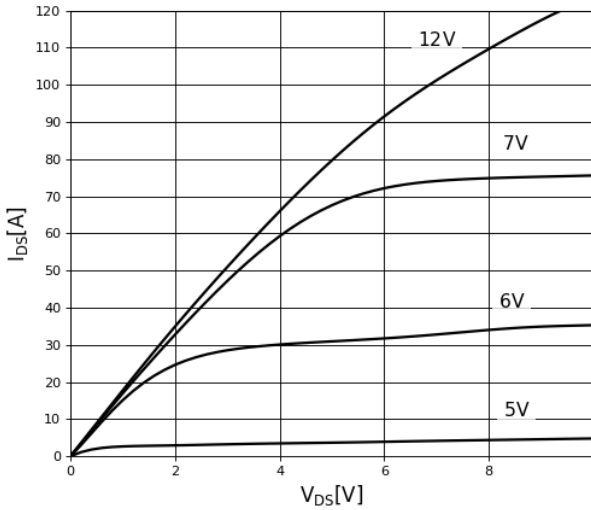


Figure 1. Typical Output Characteristics $T_J=25^\circ\text{C}$
Parameter: V_{GS}

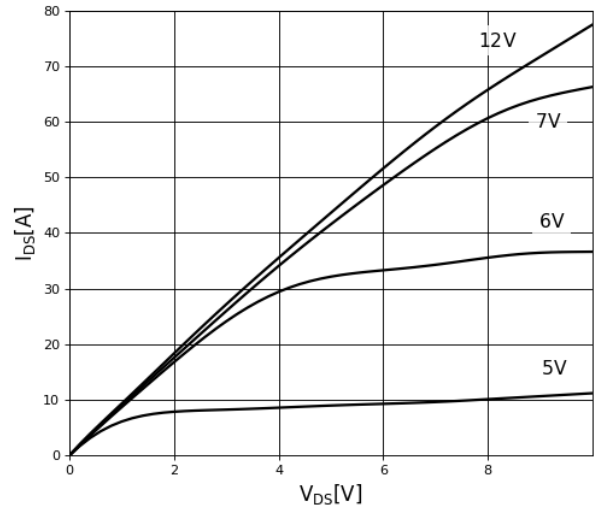


Figure 2. Typical Output Characteristics $T_J=150^\circ\text{C}$
Parameter: V_{GS}

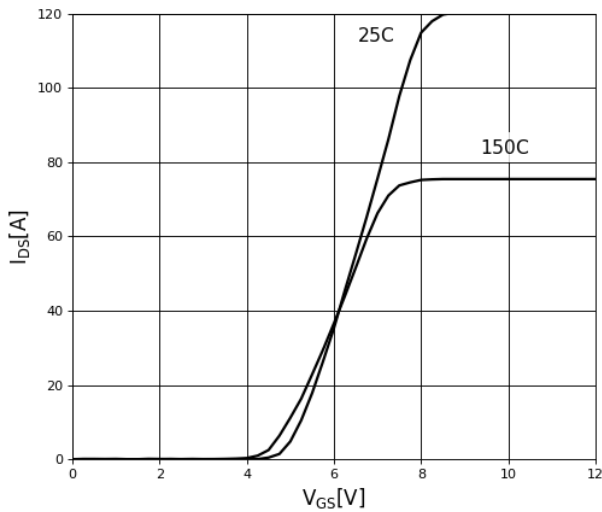


Figure 3. Typical Transfer Characteristics
 $V_{DS}=10\text{V}$, parameter: T_J

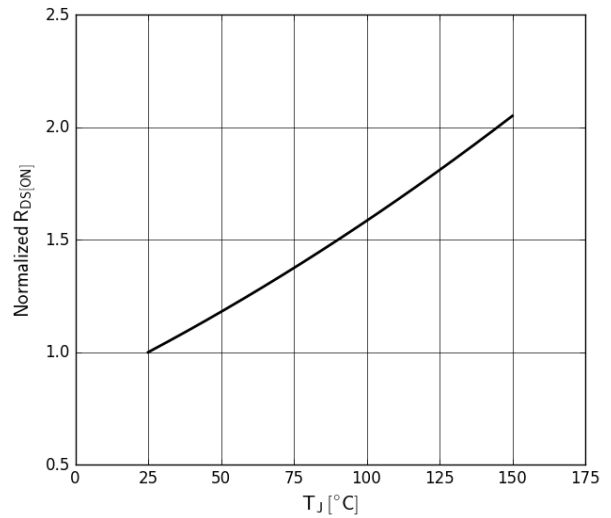


Figure 4. Normalized On-resistance
 $I_D=16\text{A}$, $V_{GS}=10\text{V}$

TP65H070G4LSGB

Typical Characteristics ($T_C=25^\circ\text{C}$ unless otherwise stated)

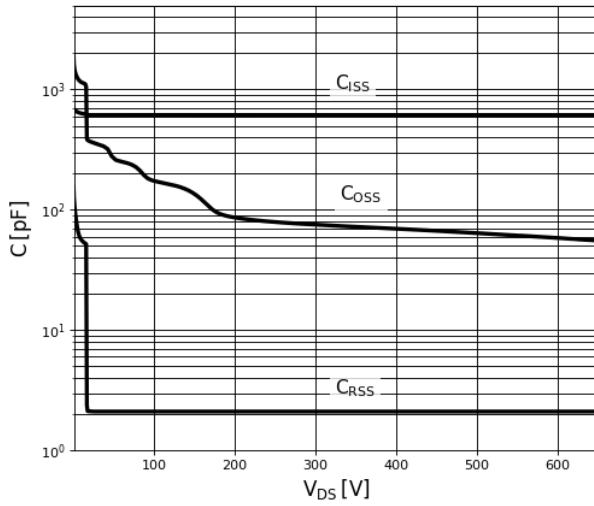


Figure 5. Typical Capacitance

$V_{GS}=0\text{V}$, $f=1\text{MHz}$

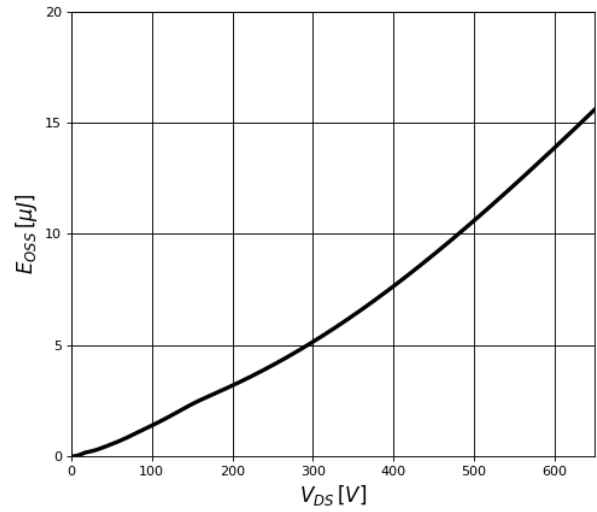


Figure 6. Typical C_{OSS} Stored Energy

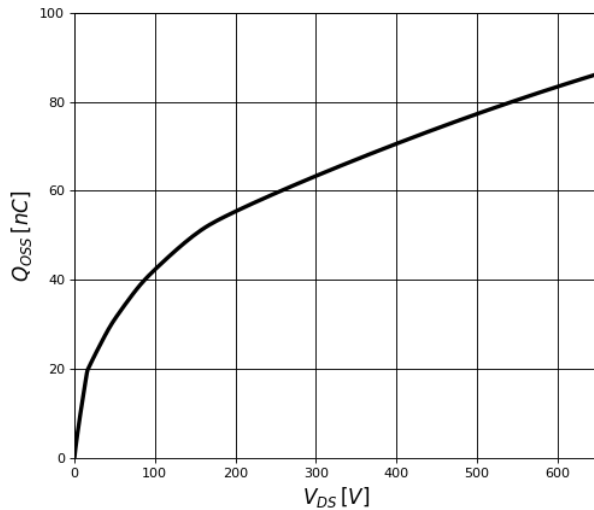


Figure 7. Typical Q_{OSS}

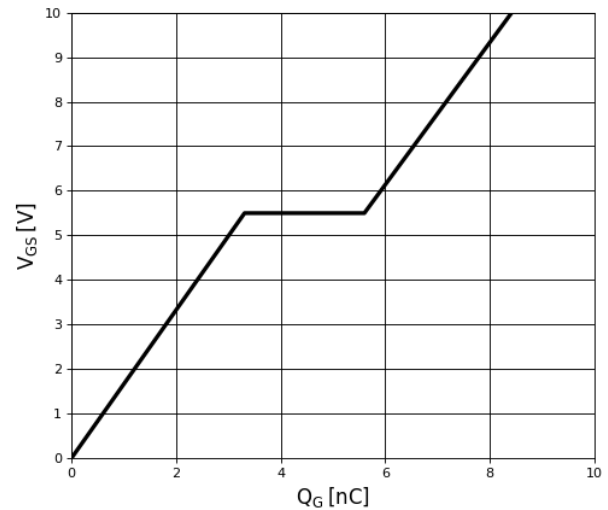


Figure 8. Typical Gate Charge

$I_{DS}=16\text{A}$, $V_{DS}=400\text{V}$

TP65H070G4LSGB

Typical Characteristics ($T_C=25^\circ\text{C}$ unless otherwise stated)

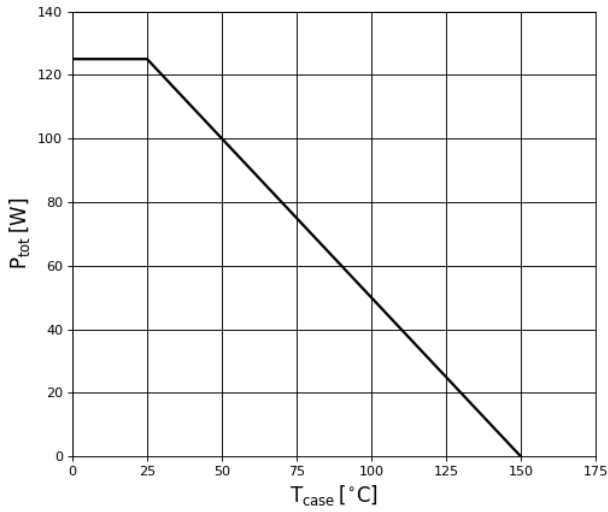


Figure 9. Power Dissipation

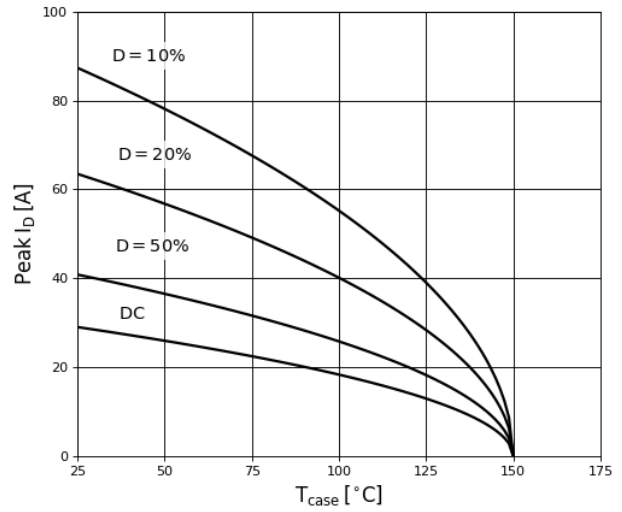


Figure 10. Current Derating
Pulse width $\leq 10\mu\text{s}$, $V_{GS} \geq 10\text{V}$

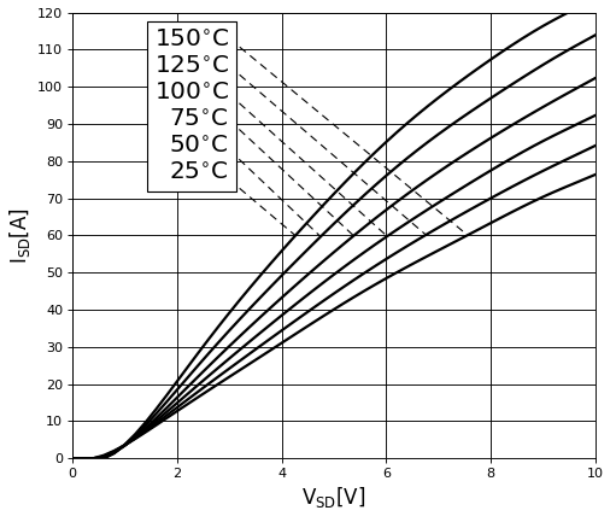


Figure 11. Forward Characteristics of Rev. Diode
 $I_S=f(V_{SD})$, parameter: T_J

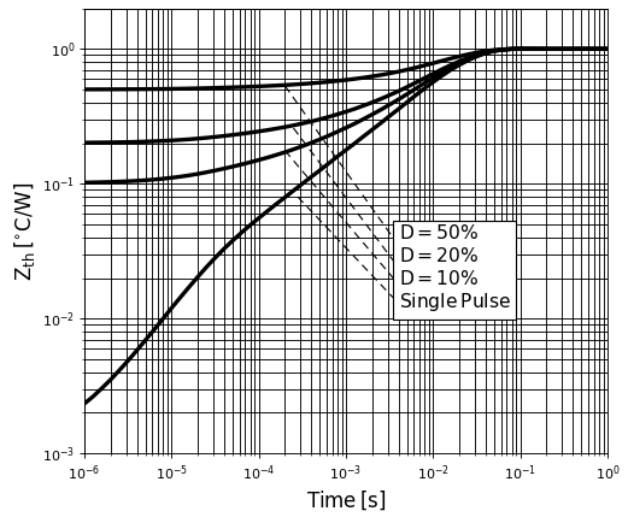


Figure 12. Transient Thermal Resistance

TP65H070G4LSGB

Typical Characteristics ($T_c=25^\circ\text{C}$ unless otherwise stated)

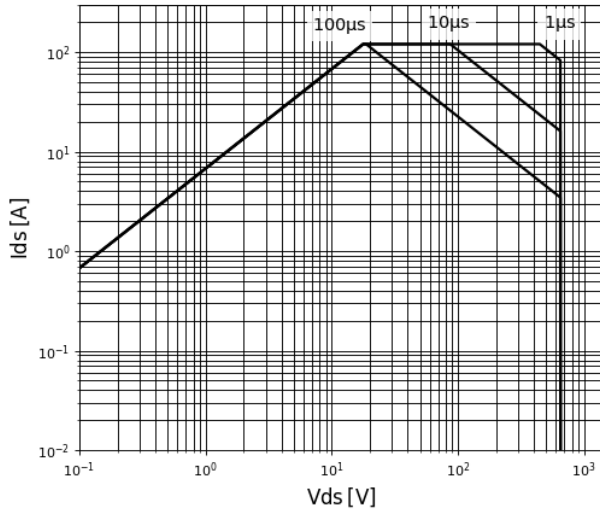


Figure 13. Safe Operating Area $T_c=25^\circ\text{C}$

TP65H070G4LSGB

Test Circuits and Waveforms

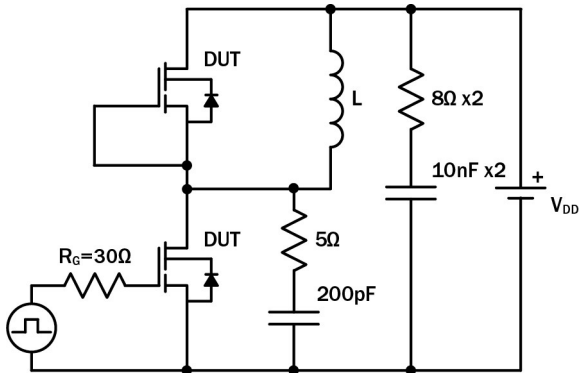


Figure 14. Switching Time Test Circuit
(see circuit implementation on page 3 for methods to ensure clean switching)

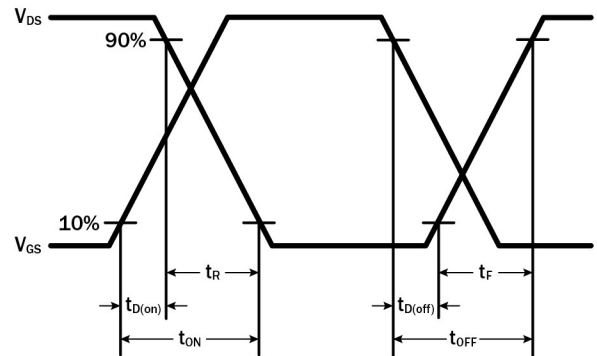


Figure 15. Switching Time Waveform

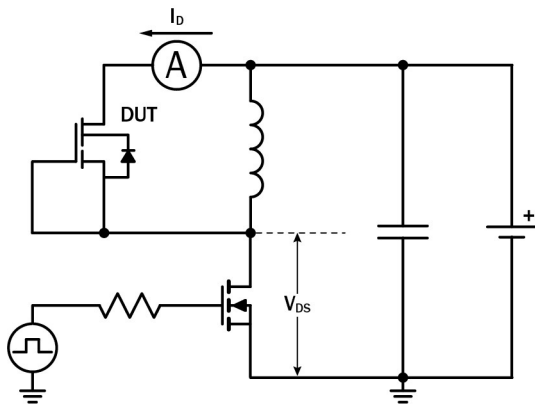


Figure 16. Diode Characteristics Test Circuit

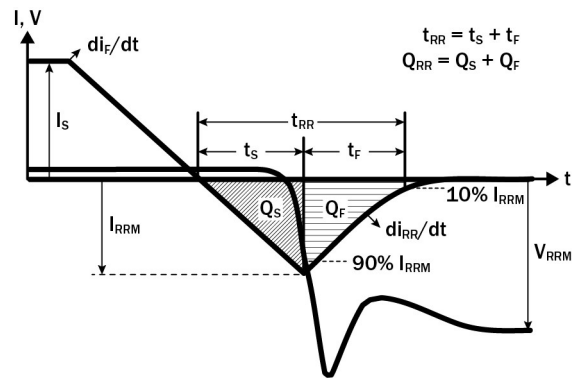


Figure 17. Diode Recovery Waveform

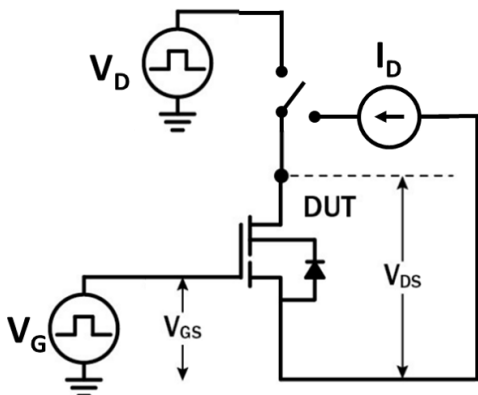


Figure 18. Dynamic $R_{DS(on)eff}$ Test Circuit

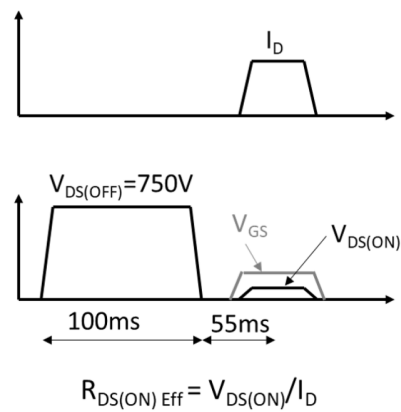


Figure 19. Dynamic $R_{DS(on)eff}$ Waveform

TP65H070G4LSGB

Design Considerations

The fast switching of GaN devices reduces current-voltage crossover losses and enables high frequency operation while simultaneously achieving high efficiency. However, taking full advantage of the fast switching characteristics of GaN switches requires adherence to specific PCB layout guidelines and probing techniques.

Before evaluating Transphorm GaN devices, see application note [Printed Circuit Board Layout and Probing for GaN Power Switches](#). The table below provides some practical rules that should be followed during the evaluation.

When Evaluating Transphorm GaN Devices:

DO	DO NOT
Minimize circuit inductance by keeping traces short, both in the drive and power loop	Twist the pins of TO-220 or TO-247 to accommodate GDS board layout
Minimize lead length of TO-220 and TO-247 package when mounting to the PCB	Use long traces in drive circuit, long lead length of the devices
Use shortest sense loop for probing; attach the probe and its ground connection directly to the test points	Use differential mode probe or probe ground clip with long wire
See AN0003 : Printed Circuit Board Layout and Probing	

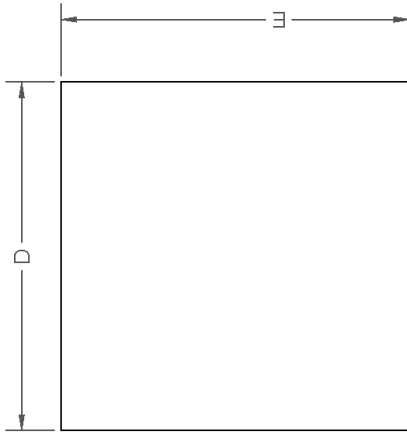
GaN Design Resources

The complete technical library of GaN design tools can be found at transphormusa.com/design:

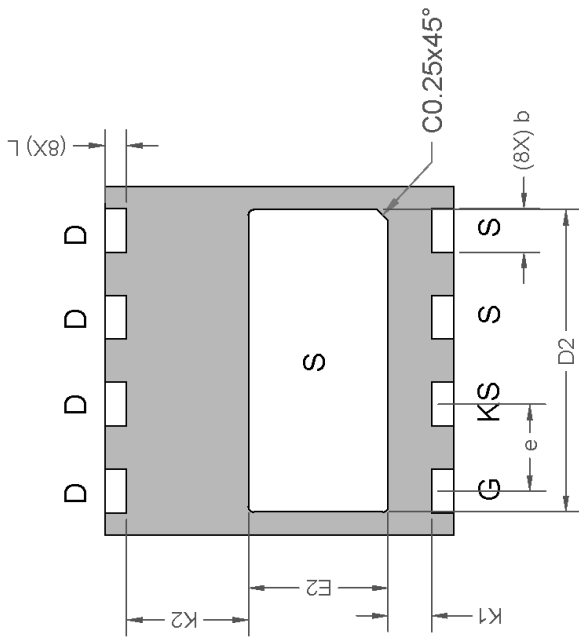
- Reference designs
- Evaluation kits
- Application notes
- Design guides
- Simulation models
- Technical papers and presentations

8x8 PQFN Package

TP65H070G4LSGB



TOP VIEW



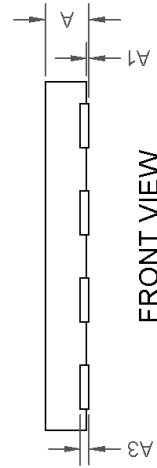
BOTTOM VIEW

G: Gate
S: Source
D: Drain
K: Kelvin
Lead finish: Sn plating

DIM	mm			inch		
	MIN	NOM	MAX	MIN	NOM	MAX
A	0.90	1.00	1.10	0.035	0.039	0.043
A1	0.00	-	0.05	0.000	-	0.002
A3	0.20 REF. 0.007 BSC					
b	0.5	1.00	1.5	0.020	0.039	0.059
D	7.90	8.00	8.10	0.311	0.315	0.319
D2	6.79	6.94	7.09	0.267	0.273	0.279
E	7.90	8.00	8.10	0.311	0.315	0.319
e	2.00 BSC 0.007 BSC					
E2	3.05	3.20	3.35	0.120	0.126	0.132
K1	1.00	-	-	0.039	-	-
K2	2.8	-	-	0.110	-	-
L	0.40	0.50	0.60	0.016	0.020	0.024

PQFN 8mm x 8mm POD (TP65HxxxG4LSGB)

transphorm



FRONT VIEW